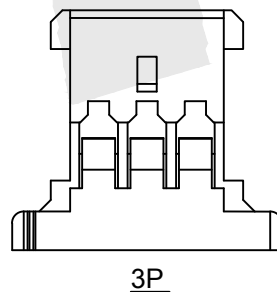
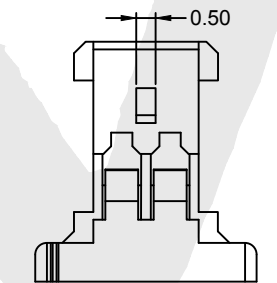
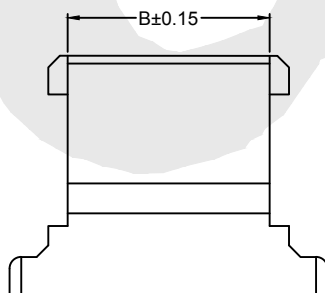
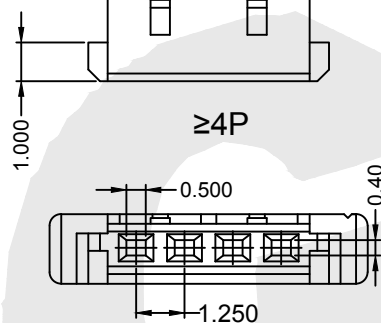
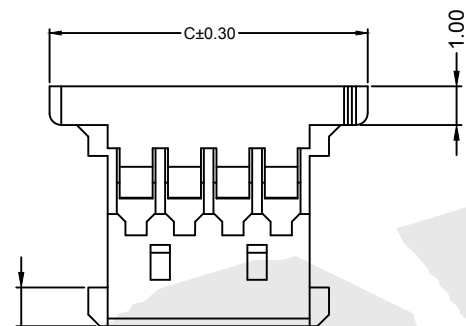
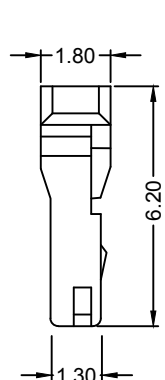
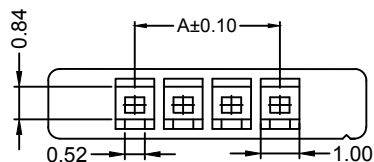


RoHS

This products can apply of Environmental&Material Management Rules

WWW. GYA. CN

TEL:0769-81769816



SPECIFICATIONS :
 Voltage Rating: 125V AC / DC
 Current Rating: 1.0A AC / DC
 Withstanding Voltage: 250V AC/minute
 Temperature Range:-25 ~+85°C
 Insulation Resistance:100MΩ Min
 Contact Resistance:20mΩ Max

GYA1252 H - XX - N0 XX XX
 ① ② ③ ④ ⑤ ⑥

- ① Series No: GYA1252
- ② Category: H-Ordinary
- ③ Row No:02~30 Single Row
- ④ Material : N0-PA66 94V0
- ⑤ Green code:Blank-Rohs HF-Halogen-free
- ⑥ Color:WH-White,BE-Beige

Poles	Dimensions(mm)		
	A	B	C
02	1.25	2.72	5.72
03	2.50	3.97	6.97
04	3.75	5.22	8.22
05	5.00	6.47	9.47
06	6.25	7.72	10.72
07	7.50	8.97	11.97
08	8.75	10.22	13.22
09	10.00	11.47	14.47
10	11.25	12.72	15.72
11	12.50	13.97	16.97
12	13.75	15.22	18.22
14	16.25	17.72	20.72
15	17.50	18.97	21.97
16	18.75	20.22	23.22
20	23.75	25.22	28.22
30	36.25	37.72	40.72

GYA1252H-XX-N0	PA66 94V0	GYA1252T	GYA1252W	1000PCS
PART NO	Material	Used In GYA Terminal	Used In GYA Wafer	Q'ty/Bag

GENERAL TOLERANCE
 .X ±0.30
 .XX ±0.20
 .XXX ±0.10

GYA 东莞市国亚电子有限公司
 DONGGUAN GYA ELECTRONICS CO., LTD

PART NO. GYA1252H-XX-N0XXXX

TITLE 1.25mm Crimp Style Connectors

APPROVAL	CHECK	DRAWN	DATE
Ada	LTS	YQ	2024/2/27

UNIT	SCALE	NUMBER	REV
MM	1:1	1/1	A

DATE	OLD REV	NEW REV	ECN	DESCRIPTION	CHECK	APPROVAL
1						
2						
3						
4						

PROJECT

A

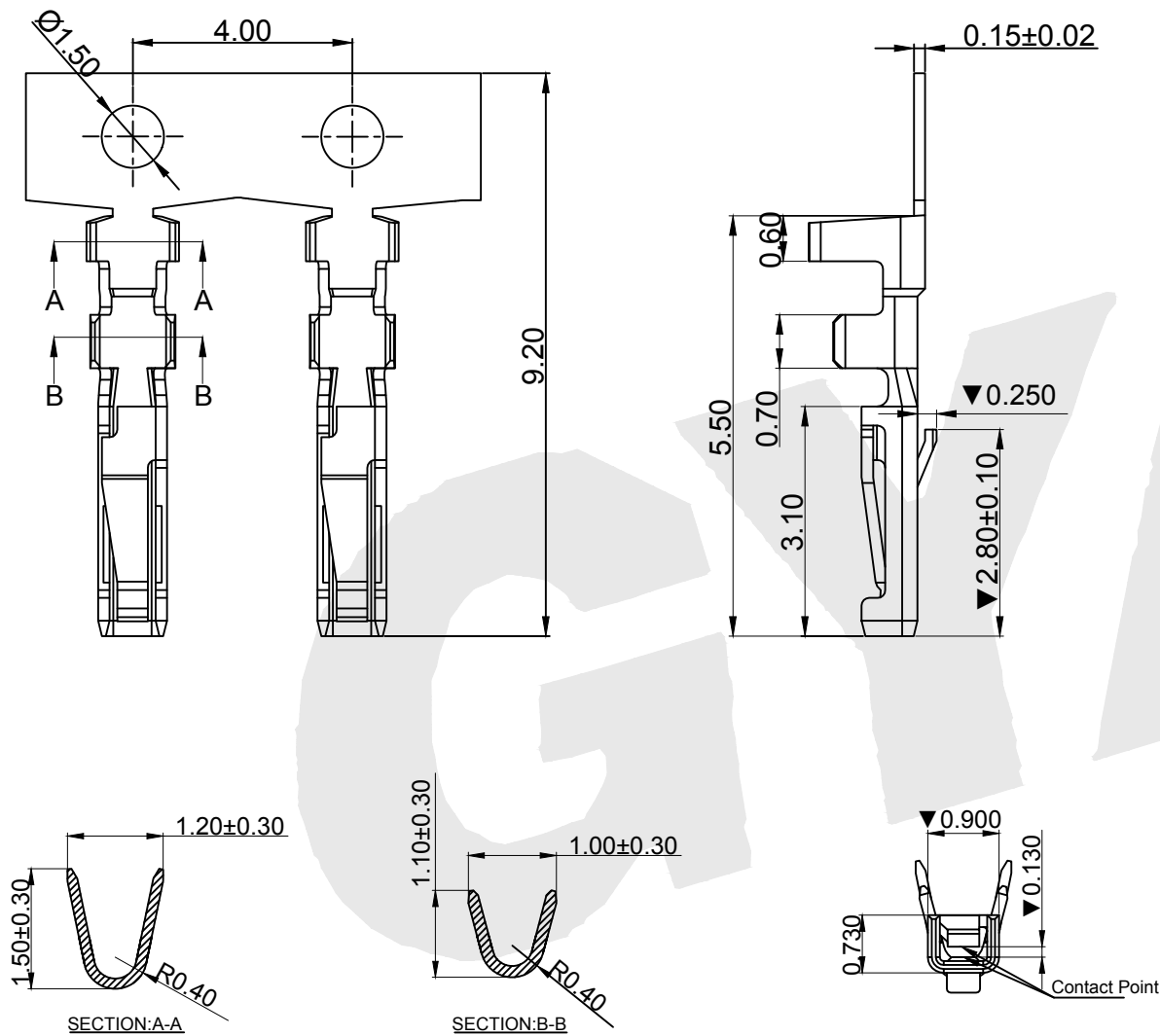
A

RoHS

This products can apply of Environmental&Material Management Rules

WWW. GYA. CN

TEL:0769-81769816



SPECIFICATIONS :
 Voltage Rating: 125V AC / DC
 Current Rating: 1.0A AC / DC
 Withstanding Voltage: 250V AC/minute
 Temperature Range:-25 ~+85°C
 Insulation Resistance:100MΩ Min
 Contact Resistance:20mΩ Max

GYA1252 T - P XX
 ① ② ③ ④

- ① Series No: GYA1252
- ② Category: T-Terminal
- ③ Material:P-Phosphor bronze
- ④ Plating Category:SN-Bright tin plating
V01-All Gold Flash

GYA1252T-PSN	Phosphor Bronze	AWG#28-32	0.9mm(Max)	Tin-Plated	GYA1252H	20000PCS
GYA1252T-PV01				Gold-plated		
PART NO	Material	Wire Range	Insulation O.D.	Finish	Used In GYA Housing	Q'ty/Reel

GENERAL TOLERANCE
 .X ±0.10
 .XX ±0.05
 .XXX ±0.03

GYA 东莞市国亚电子有限公司
 DONGGUAN GYA ELECTRONICS CO., LTD
 Electronics

PART NO. GYA1252T-PXX

TITLE 1.25mm Crimp Style Connectors

APPROVAL	CHECK	DRAWN	DATE
Ada	Sam	YQ	2024/2/27

UNIT	SCALE	NUMBER	REV
MM	1:1	1/1	A

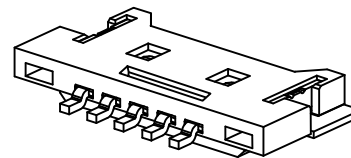
DATE	OLD REV	NEW REV	ECN	DESCRIPTION	CHECK	APPROVAL	PROJECT
1							⊕ □

RoHS

This products can apply of Environmental&Material Management Rules

WWW. GYA. CN

TEL:0769-81769816



SPECIFICATIONS :

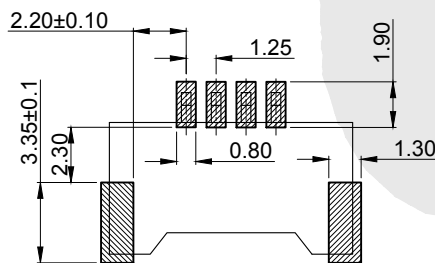
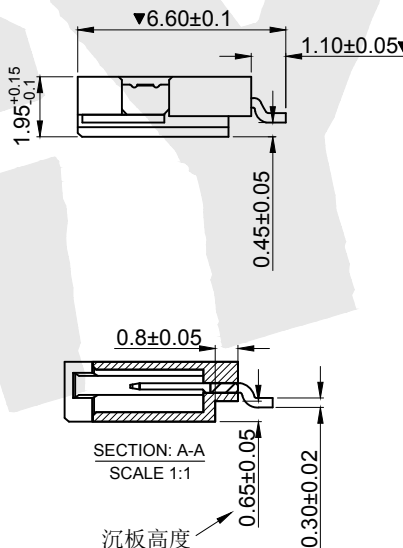
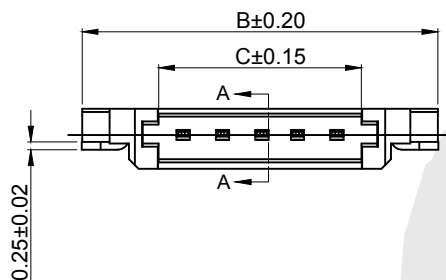
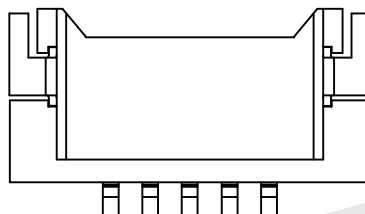
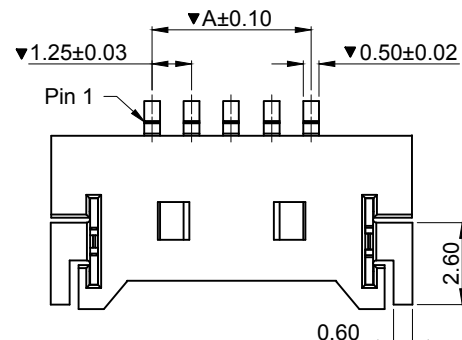
Voltage Rating: 125V AC / DC
 Current Rating: 1.0A AC / DC
 Withstanding Voltage: 250V AC/minute
 Temperature Range:-25°C~+85°C
 Insulation Resistance:100MΩ Min
 Contact Resistance:20mΩ Max

GYA1252 W R S - XX CB - XX XX XX R
 ① ② ③ ④ ⑤ ⑥ ⑦ ⑧ ⑨ ⑩

- ① Series No:GYA1252
- ② Category:W-Wafer
- ③ Welding board angle:V-Straight 180° R-Straight 90°
- ④ Weiding form:Blank-DIP S-SMT
- ⑤ Row No:02~30 Single row
- ⑥ Category:CB-沉板
- ⑦ Material : 6T-PA6T 94V0 9T-PA9T 94V0 LP-LCP 94V0
- ⑧ Plating Category:SN-Bright tin plating
 V01-All Gold Flash
 SW-Matte Tin
- ⑨ Color:BE-Beige
- ⑩ Package:R-Reel

Poles	Dimensions(mm)			Poles	Dimensions(mm)		
	A	B	C		A	B	C
02	1.25	7.65	2.80	11	12.50	18.90	14.05
03	2.50	8.90	4.05	12	13.75	20.15	15.30
04	3.75	10.15	5.30	13	15.00	21.40	16.55
05	5.00	11.40	6.55	14	16.25	22.65	17.80
06	6.25	12.65	7.80	15	17.50	23.90	19.05
07	7.50	13.90	9.05	16	18.75	25.15	20.30
08	8.75	15.15	10.30	20	23.75	30.15	25.30
09	10.00	16.40	11.55	30	36.25	42.65	37.80
10	11.25	17.65	12.80				

GYA1252WRS	PA6T 94V0	Brass	Gold-plated	Brass	Gold-plated	GYA1252H	2000PCS
PART NO	Material	Material(Pin)	Finish(Pin)	Material (Solder Tabs)	Finish (Solder Tabs)	Used In GYA Housing	Q'ty/Reel



P.C.B LAYOUT: TOP VIEW
 TOLERANCE: ± 0.05mm

GENERAL TOLERANCE
 .X ±0.30
 .XX ±0.20
 .XXX ±0.10

GYA 东莞市国亚电子有限公司
 DONGGUAN GYA ELECTRONICS CO., LTD
 Electronics

PART NO.
 GYA1252WRS-XXCB-XXXXXXR

TITLE
 1.25mm Crimp Style Connectors

APPROVAL: Aad, CHECK: LTS, DRAWN: YQ, DATE: 2024/1/11

UNIT: MM, SCALE: 1:1, NUMBER: 1/1, REV: A

DATE, OLD REV, NEW REV, ECN, DESCRIPTION, CHECK, APPROVAL

PROJECT

1 2 3 4 5 6 7 8

RoHS

This products can apply of Environmental&Material Management Rules

WWW.GYA.CN

TEL:0769-81769816

SPECIFICATIONS :

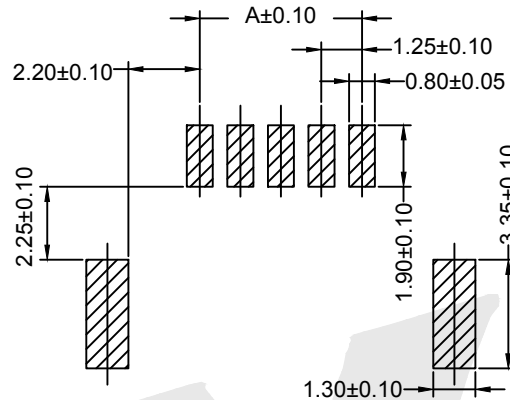
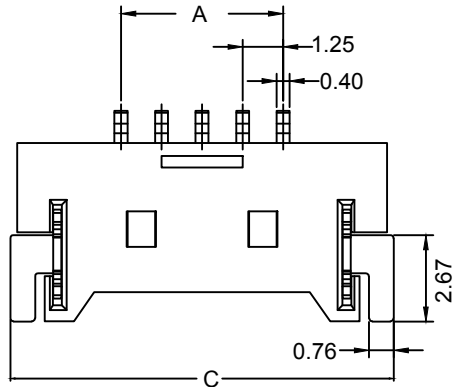
Voltage Rating: 125V AC / DC
 Current Rating: 1.0A AC / DC
 Withstanding Voltage: 250V AC/minute
 Temperature Range:-25 ~+85°C
 Insulation Resistance:100MΩ Min
 Contact Resistance:20mΩ Max

GYA1252 W R S - XX - XX XX XX XX R
 ① ② ③ ④ ⑤ ⑥ ⑦ ⑧ ⑨ ⑩

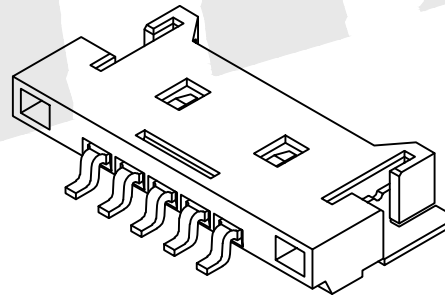
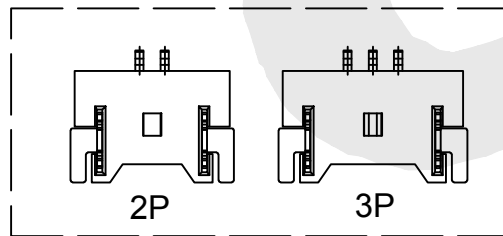
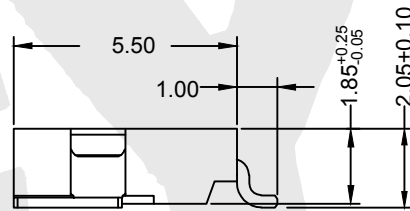
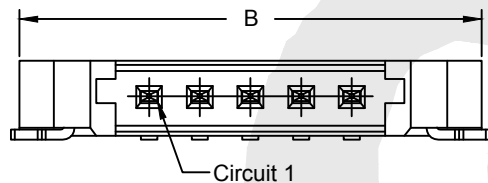
- ① Series No:GYA1252
- ② Category:W-Wafer
- ③ Welding board angle:V-Straight 180° R-Straight 90°
- ④ Weiding form:Blank-DIP S-SMT
- ⑤ Row No:02~30 Single row
- ⑥ Material : 6T-PA6T 94V0 9T-PA9T 94V0 LP-LCP 94V0
- ⑦ Plating Category:SN-Bright tin plating
 V01-All Gold Flash
 SW-Matte Tin
- ⑧ Green code:Blank-Rohs HF-Halogen-free
- ⑨ Color:Blank-Natural BE-Beige WH-White
- ⑩ Package:R-Reel

Poles	Dimensions(mm)			Poles	Dimensions(mm)		
	A	B	C		A	B	C
02	1.25	7.65	7.60	11	12.50	18.90	18.85
03	2.50	8.90	8.85	12	13.75	20.15	20.10
04	3.75	10.15	10.10	13	15.00	21.40	21.35
05	5.00	11.40	11.35	14	16.25	22.65	22.60
06	6.25	12.65	12.60	15	17.50	23.90	23.85
07	7.50	13.90	13.85	16	18.75	25.15	25.10
08	8.75	15.15	15.10	20	23.75	30.15	30.10
09	10.00	16.40	16.35	30	36.25	42.65	42.60
10	11.25	17.65	17.55				

GYA1252WRS-XX-LCP	LCP 94V0						
GYA1252WRS-XX-9T	PA9T 94V0	Brass	Gold-plated	Brass	Gold-plated	GYA1252H	2000PCS
GYA1252WRS-XX-6T	PA6T 94V0						
PART NO	Material	Material(Pin)	Finish(Pin)	Material (Solder Tabs)	Finish (Solder Tabs)	Used In GYA Housing	Qty/Reel



P.C.B LAYOUT



GENERAL TOLERANCE

.X ±0.30
 .XX ±0.20
 .XXX ±0.10

GYA 东莞市国亚电子有限公司
 DONGGUAN GYA ELECTRONICS CO., LTD

APPROVAL: Aad, CHECK: LTS, DRAWN: YQ, DATE: 2024/1/11

PART NO. GYA1252WRS-XX-XXXXXXXXXR

TITLE: 1.25mm Crimp Style Connectors

UNIT: MM, SCALE: 1:1, NUMBER: 1/1, REV: A



DATE, OLD REV, NEW REV, ECN, DESCRIPTION, CHECK, APPROVAL